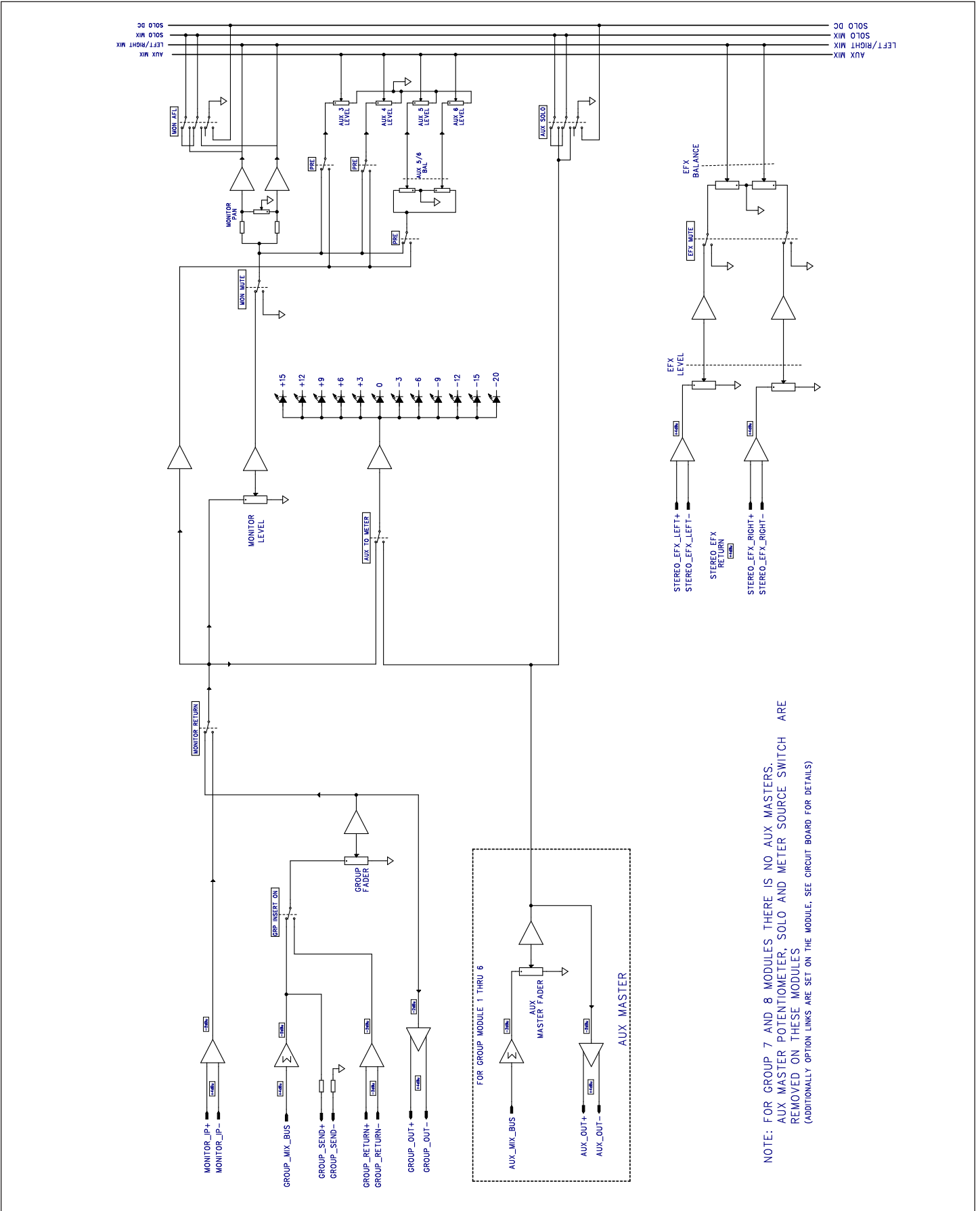




# Trident 78 Input Sub Group Module Flow Diagram



NOTE: FOR GROUP 7 AND 8 MODULES THERE IS NO AUX MASTERS.  
 AUX MASTER POTENTIOMETER, SOLO AND METER SOURCE SWITCH ARE  
 REMOVED ON THESE MODULES  
 (ADDITIONALLY OPTION LINKS ARE SET ON THE MODULE, SEE CIRCUIT BOARD FOR DETAILS)